

Explain **Z6**  
*Fast Setting*

**Sell Center:**

**Listing 76**  
Accessory

1. Device One pcs
2. A suit of Exponent
3. 12V2A Power suply (for att only)
4. A suit of insert-Line
5. Two pcs power-line
6. One pcs data line for Rs232
7. One bag dryer
8. A suit of sponge underlay

**List**

1. Menu for Hardware
2. Fast software wizard
3. Sketch Map For Access Control
4. Accessory Listing
5. Important Picture



- Menu
- \*Enroll
  - 1. User
    - Finger
    - Password
    - Fp+Pass
  - 2. Manager
    - Enr Manager
    - Gen Manager
    - Sup Manager
  - 3. Delete
  - 4. Glog View
  - 5. Slog View
- \*Setup
  - 1. System
    - Time
    - Dateformat
    - Superset
      - Default
      - All Delete
      - Alllog Delete
      - Level Setting
      - Cancel Manager
      - Vioce Out
      - Language
      - Verify Mode

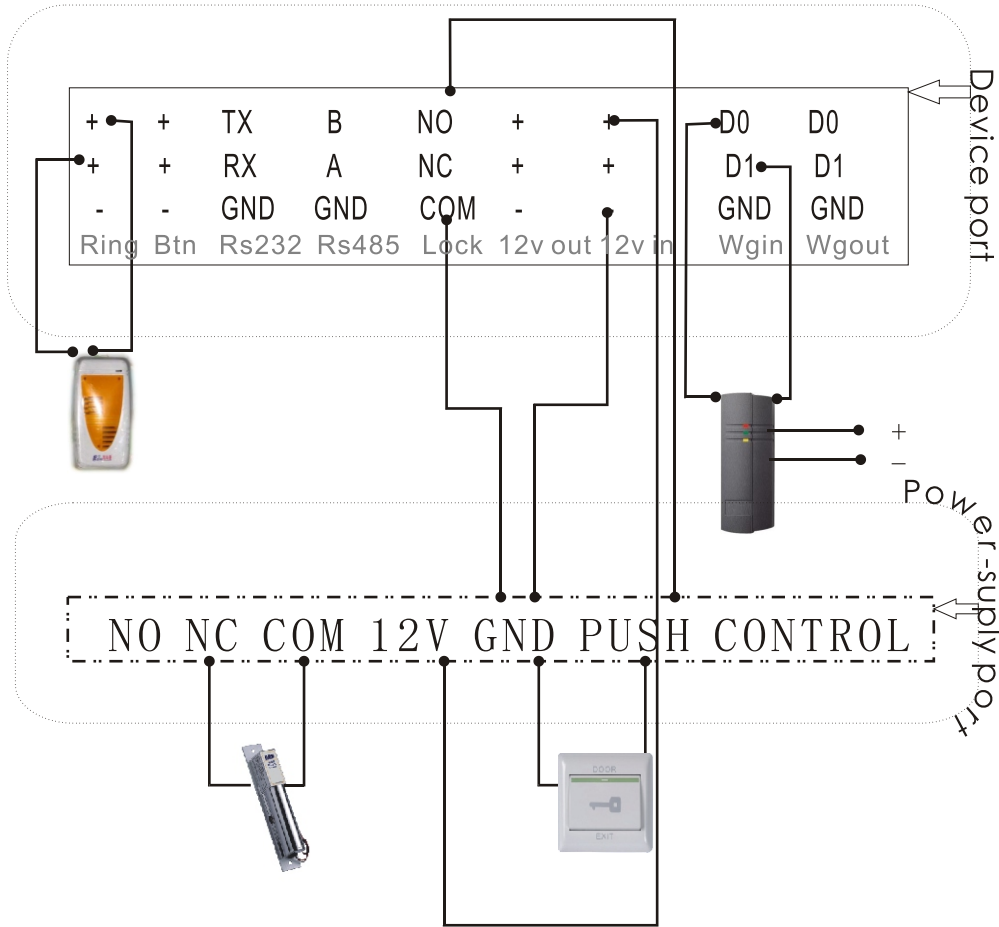
- Managers
- Unlock
- 2. Power option
  - Auto off
  - Hibernate
  - Idle
  - Idle time
- 3. Communication
  - Device Id
  - Baudrate
  - Port No
  - Password
  - Ip Address
  - Subnet Mask
  - Default Gateway
  - Rs485/Ethernet
- 4. Log Setup
  - Slog wrn
  - Glog wrn
  - Re-verify
- 5. Lock Set
  - Pass Time Set
  - UserPasstime
  - GroupPasstime
  - GroupMatch
  - Unlock
- 6. Auto Test
- \* System Info



## Fast Software Wizard

1. Login, Default User Name:Admin, Password:123
2. Set "Att Setting"->"Department"->"Add"
3. Set "Att Setting"->"Base Data"->"Add"
4. Set "Att Setting"->"Employee"->"Add" or import the "Staff Archives" (Notice:the User-id must be same between device and software;Manager must be set the "Staff Archives" first, Then enrol fingerprint on your machine for your user, like this is easy to use it.
5. Enrol fingerprint on the Device by the current User-id (Notice:the User-id must be same in the device and "Employee" in the software)
6. Set "Enroll", Choose one Device->"Refresh"->"Execute" (Notice:manager need not to choos any option, only choose "Execute" is ok usually.
7. Set "Att Shift"->"Add"->"Shift code" and "Shift Name"->"Save", Choose the "shift" by mouse, Then move the mouse into "Shift time zone", Click right key of the mouse, Add the "time zone", Set the detail Parameter, "Save" when finished; then right key, the second time zone.. (**Notice:** The record in the range of "start sign in" and "over sign in", "Start sign out" and "Over sign out" can be show in "Att log" and "Att daily"... , Out of the range can only show in "Glog"
8. You can read "Att Month" after Setting the "Att Shift" and read the "Unknow G-log" in "Log", then calculatting in "Att Daily". (Notice: "Read All G-log" can increase the database every time, So don't use it usually.
9. Other detail function, Read "Software Wizard" please.

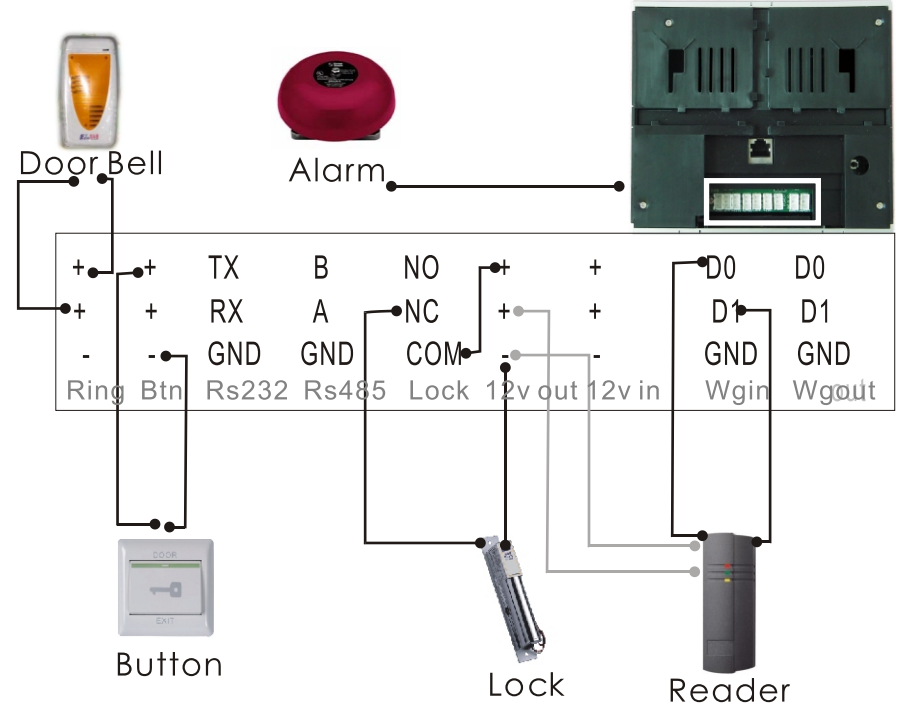
THE WAY OF LOCK CONNECT TO POWER SUPPLY



**Connect way 1**

Use this way if the device need connect 2 locks

NC is normally close, NO is normally open



**Connect way 2**

The way lock connect to device

1. Setting the unlock time as 1-30 second
2. The status of "out" and "in" can be changed by the key of "up" and "down"
3. Other function is card, u-flash, wireless bell and so on
4. We can oem for you, any voice, language, packing;

# Important Picture

